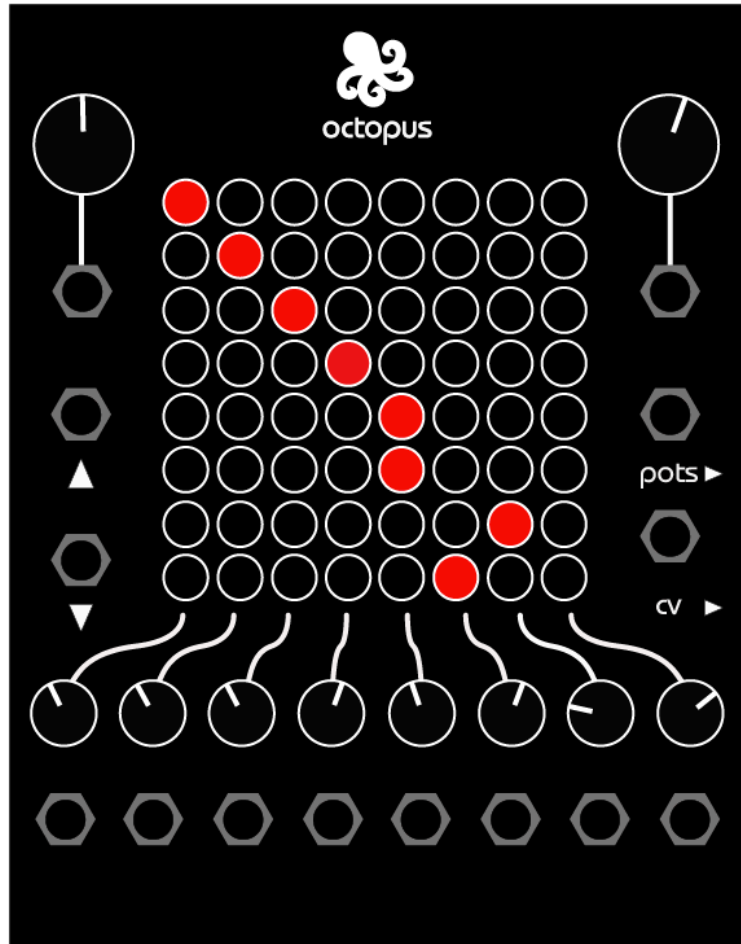


Octopus



user's manual

Welcome to Octopus!

Thanks for giving Octopus a home!

Octopus is a dual 8 way multiplexer/switch allowing to sequence up to 8 signals or potentiometers .

Sequence pitch with pots, switch audio signals with the cv inputs, so many possibilities

We value your feedback, if you have any questions or concerns please email info@twisted-electrons.com

1- Setup

Please carefully observe the polarity when connecting the power. Connecting the cable the wrong way can damage your module or system!

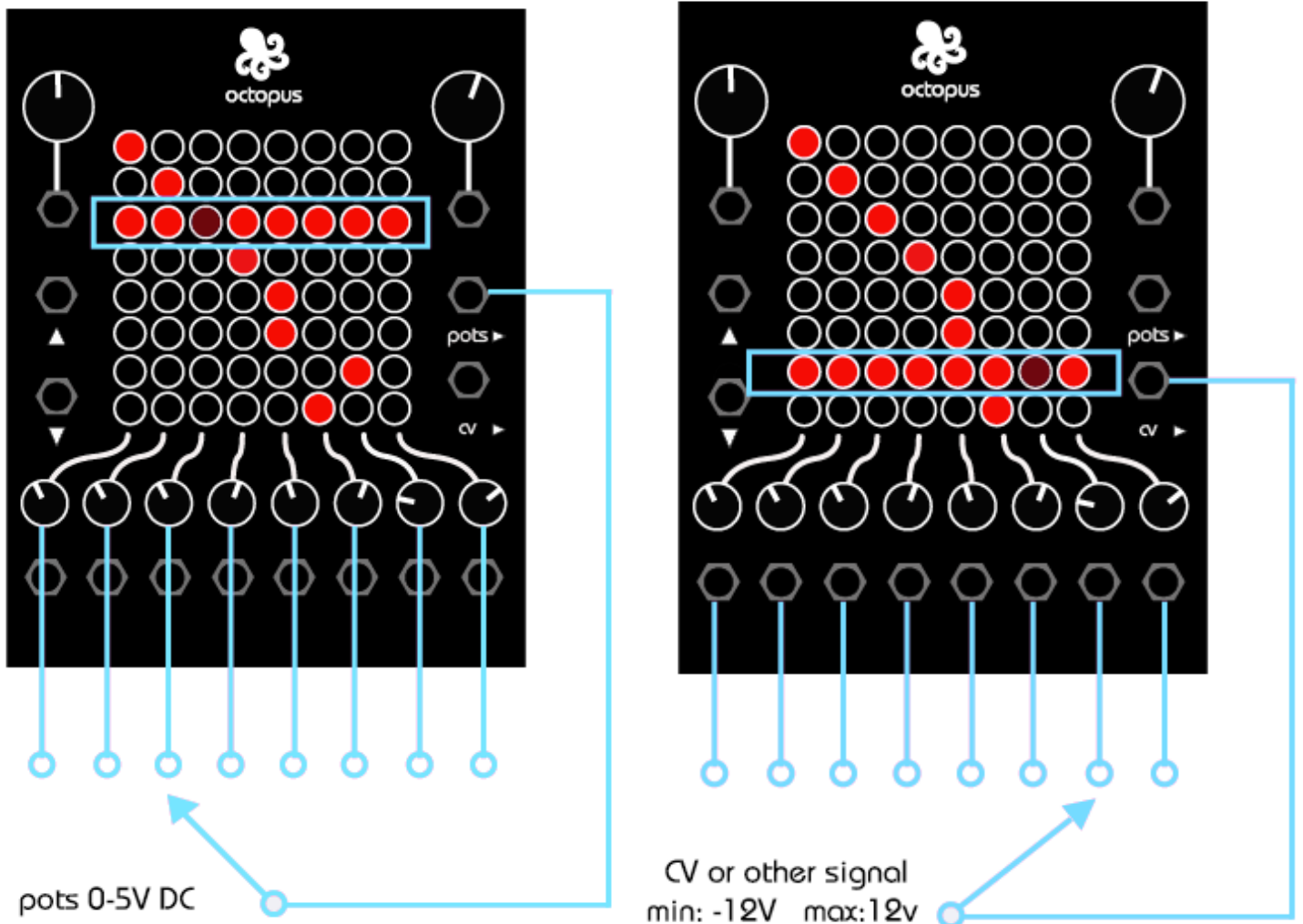
The cable should be connected with the RED (-12v) wire DOWN as indicated on the silkscreen of the PCB.

If in doubt please refer to the Eurorack (doepfer style) pinout:
[Eurorack Power Connector Pinout 16-Pin.](#)



2- Operation

Octopus acts as a dual pole 8 position switch, one of the 8 pots or inputs are routed to their respective output at any time, you choose which “channel” is active (1- 8) . The horizontal axis sets the channel, the vertical axis stores 8 channel positions.



The fun begins when you start sequencing or modulating the channel selector either:

- Manually by use of the two large potentiometers
- by overriding the potentiometers with CV (0-5V DC)
- by moving up and down the vertical axis via Triggers (5v DC pulse)

NOTE: The CV inputs are not limited to Control Voltages. You can use octopus to “switch” audio too, like multiple waveforms of an oscillator, or audio tracks of a song!

3- Thanks!

Thanks for giving Octopus a home!

We value your feedback, if you have any questions or concerns please email info@twisted-electrons.com

